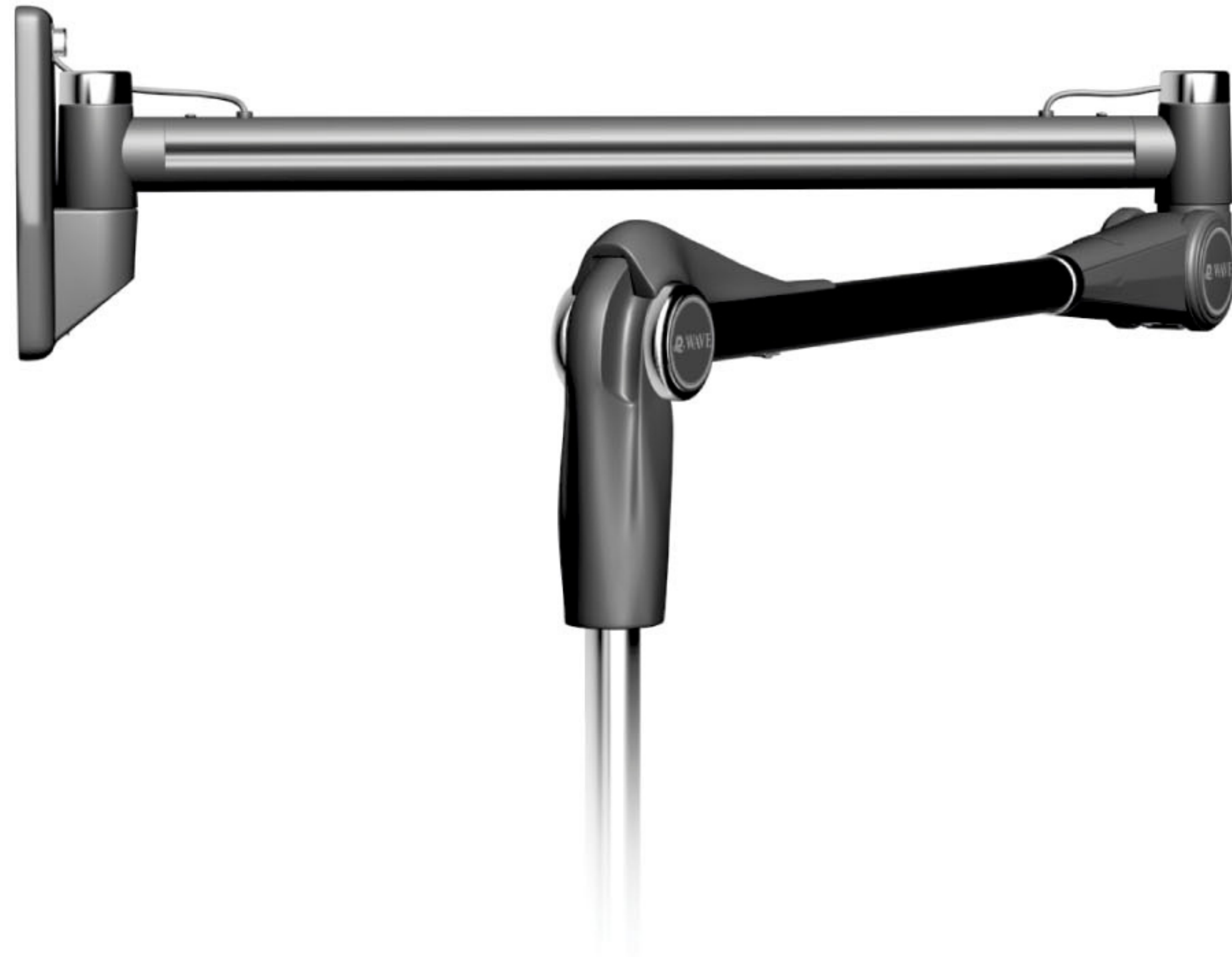




# INSTALLATION OF WALL MOUNT ARM



### KINDLY REMINDER

After the arm assembly and the machine head connected well and install on the wall bracket, please remove the stopper immediately can you begin to use it! (Operation steps show in item 3-6.) Otherwise, the arm assembly will be damaged seriously!!! Thanks for your cooperation!



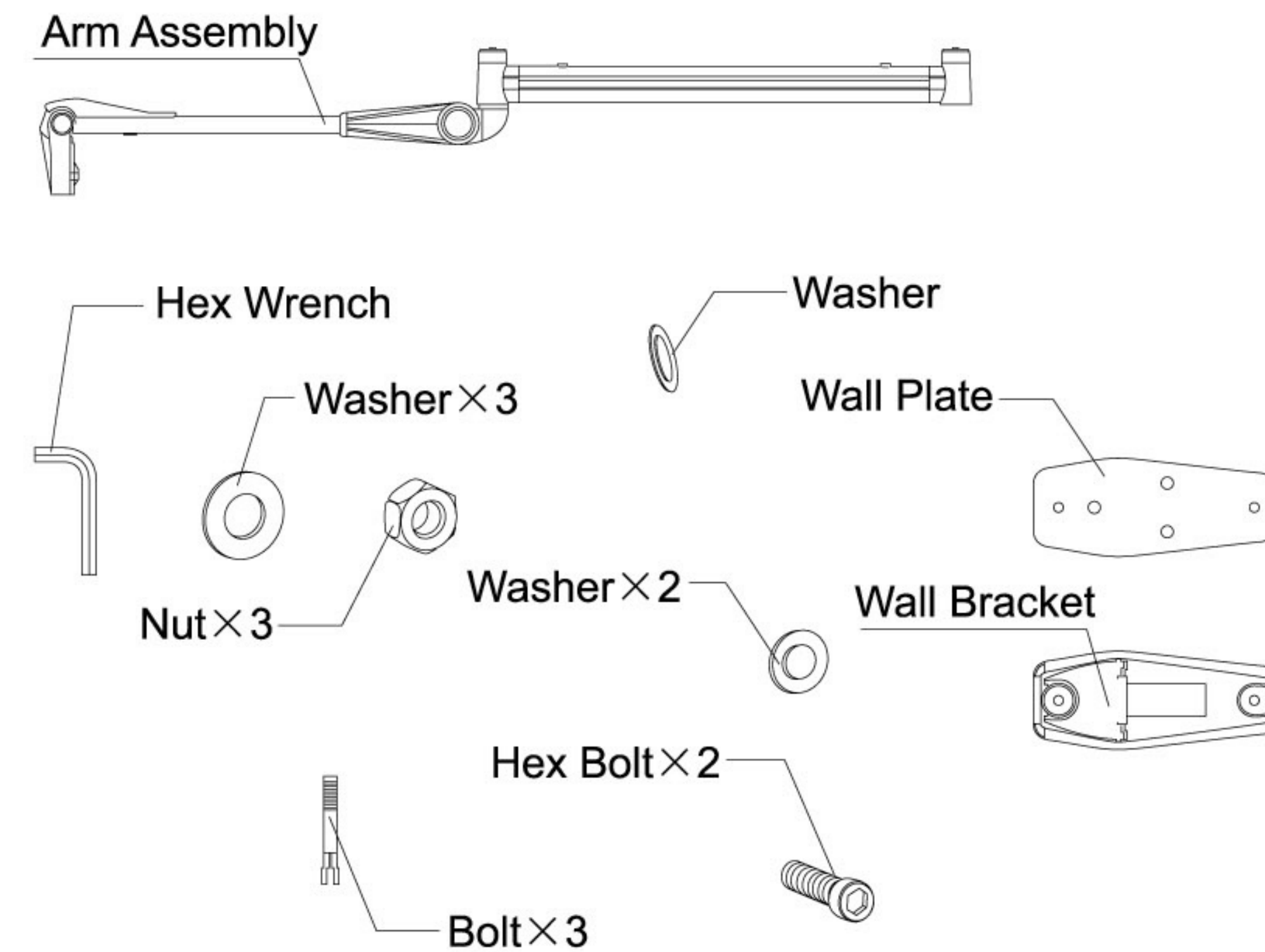
### CAUTION

Before connecting the arm assembly with the machine head, please NEVER remove the "stopper"!!! Otherwise, the installation person will be injured!!! Remember firmly! Remember firmly!

## 1 PRE-INSTALLATION

**1-1 OBSERVE THE CARTON OUTSIDE** Please check whether the weight capacity of the carton is in accordance with the net weight nominal of the head assembly , if the nominal is in accordance with the weight capacity , then you can enter into the next installation .

**1-2 SPARE PARTS** (Please see the below pictures) Open the carton, check the arm assembly and see whether it is damaged, the spare parts are complete or not, please see the below pictures (Remark: The wall plate and wall bracket are attached together with bolts before the factory delivers the machine. )

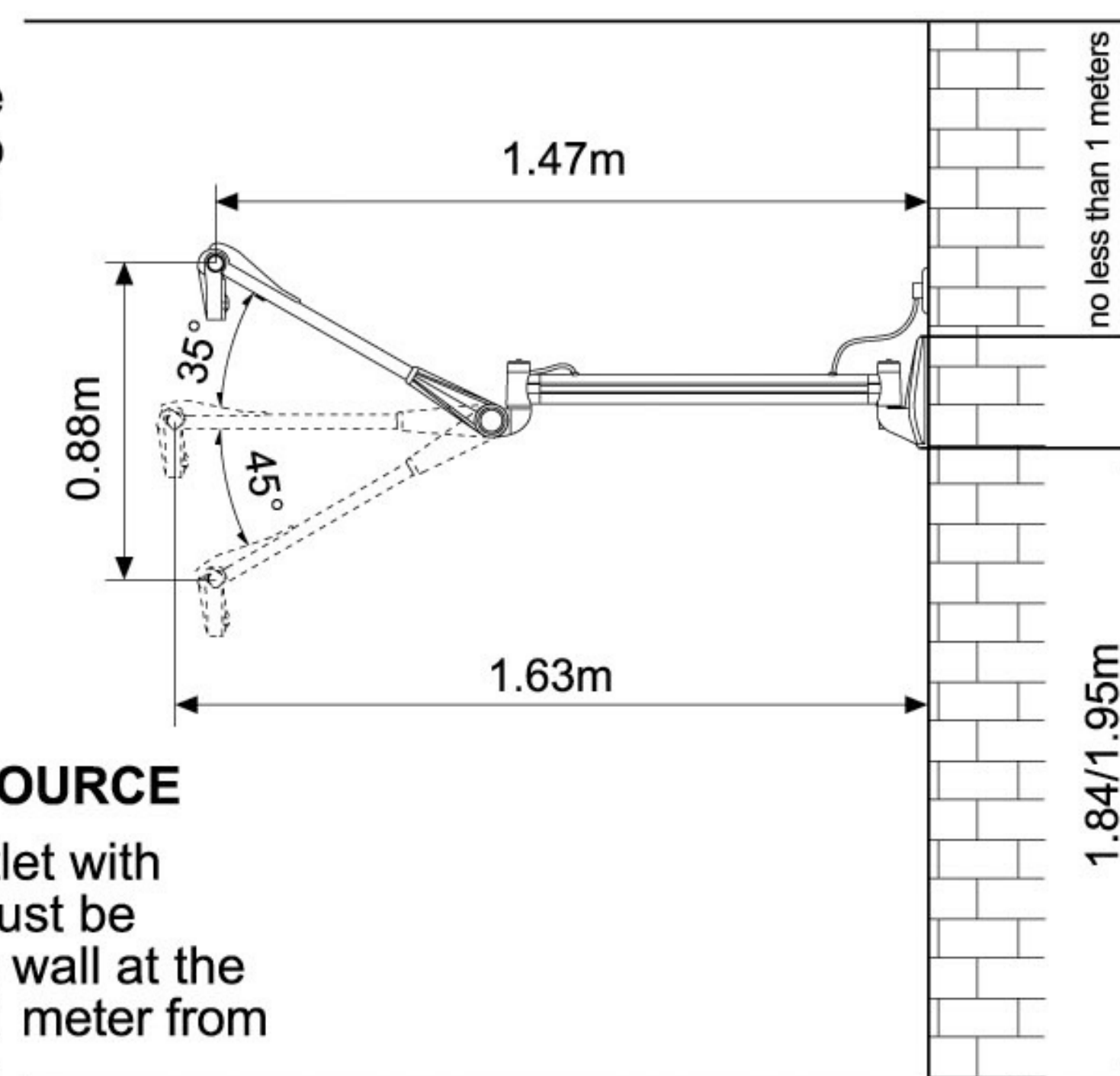


## 2 INSTALLATION OF WALL BRACKET

### 2-1 CHOICE OF INSTALLATION POSITION

#### 1 WALL

The wall must be sturdy enough to support the arm assembly and machine head.



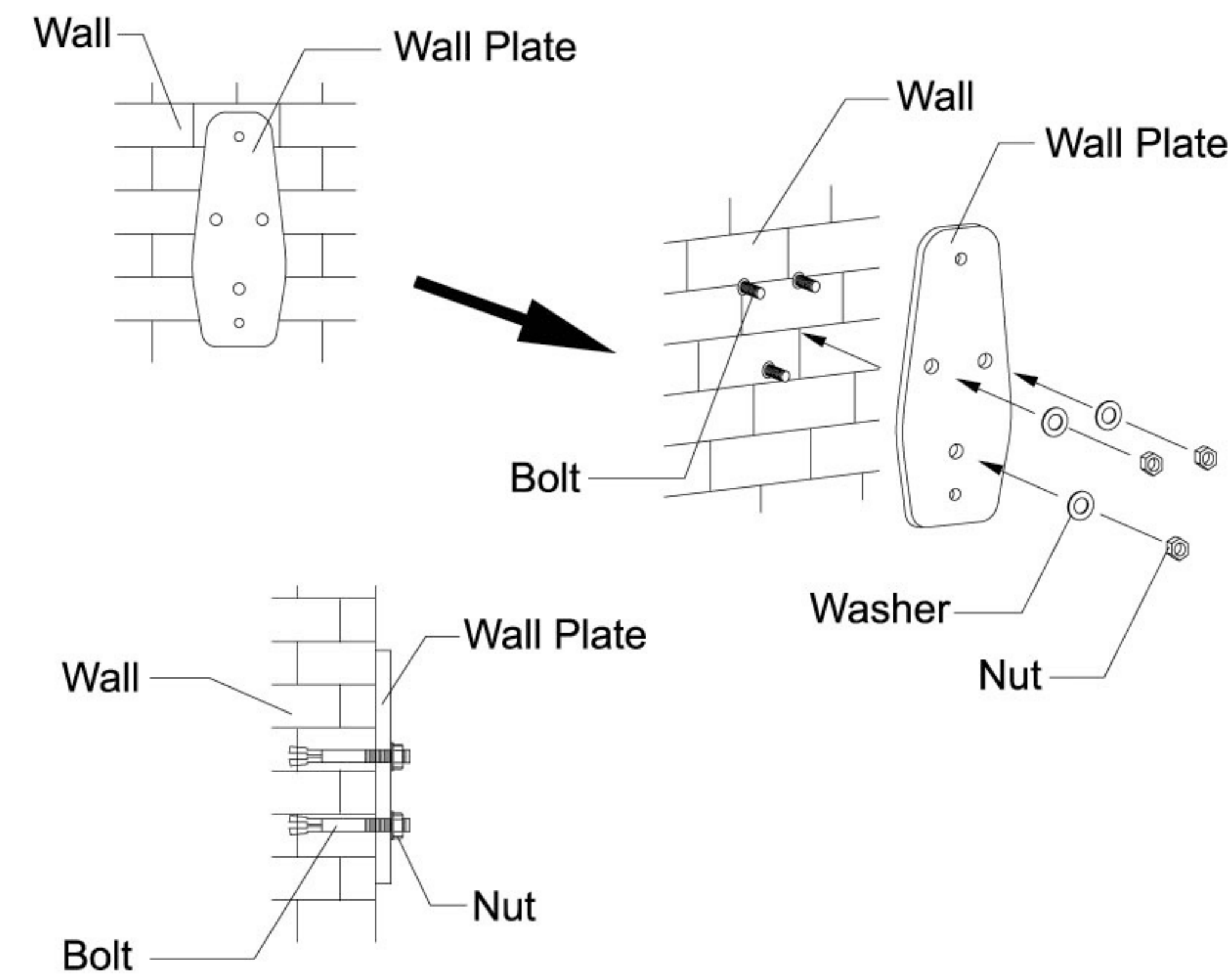
#### 2 ELECTRIC SOURCE

An electrical outlet with proper power must be prepared on the wall at the distance within 1 meter from the wall bracket.

## 2-2 DRILL HOLES AND INSTALLATION OF WALL PLATE

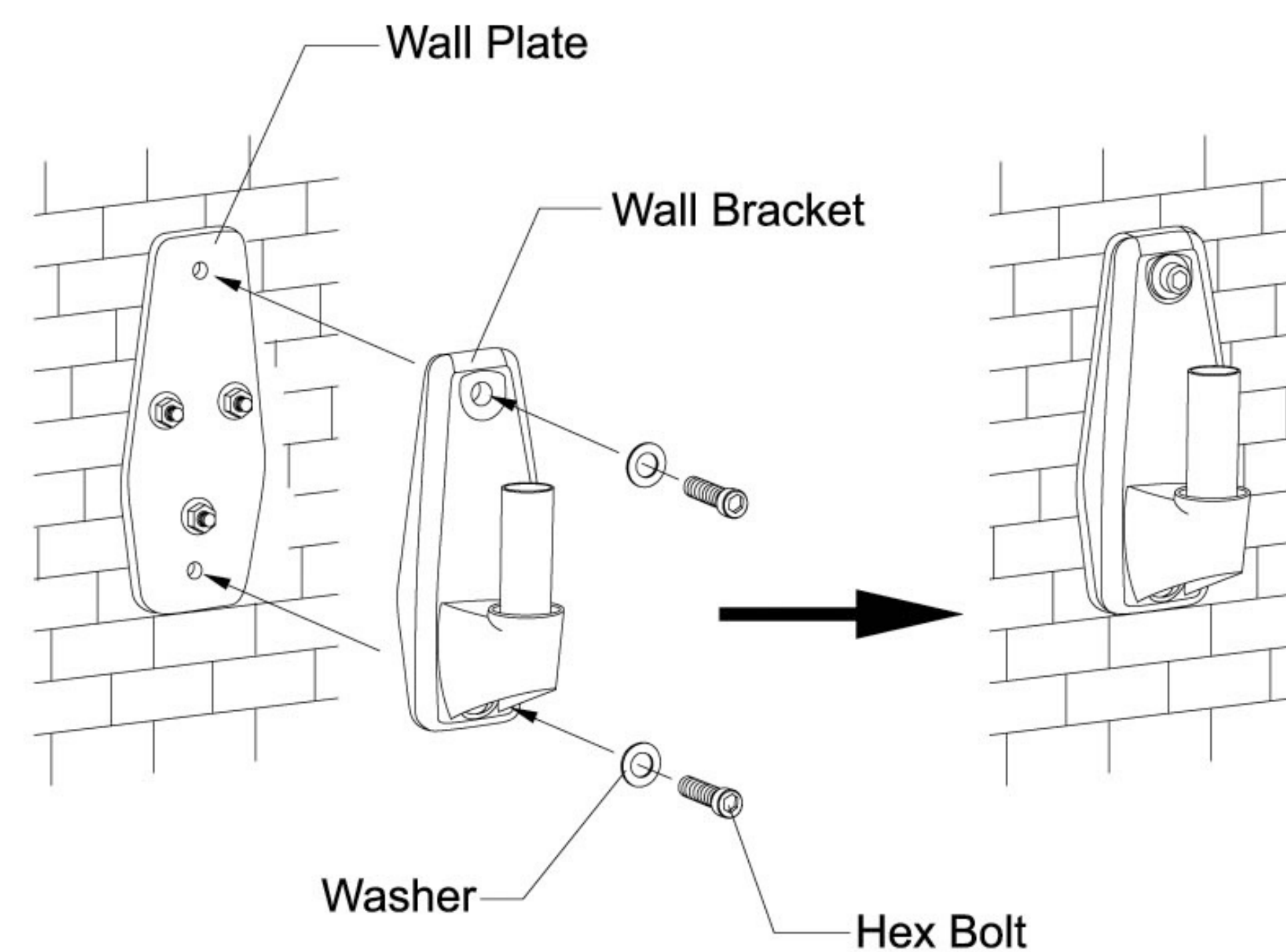
After deciding the position on the wall, use the wall plate as a template and drill three holes on the wall. The size and depth of the holes shall be in accordance with the bolts supplied. The wall plate must be perpendicular.

Attach the wall plate to the wall with the bolts, then fix it with nuts.



## 2-3 INSTALLATION OF WALL BRACKET

After install the wall plate well, attach the wall bracket to the wall plate, then tighten the hex bolts.



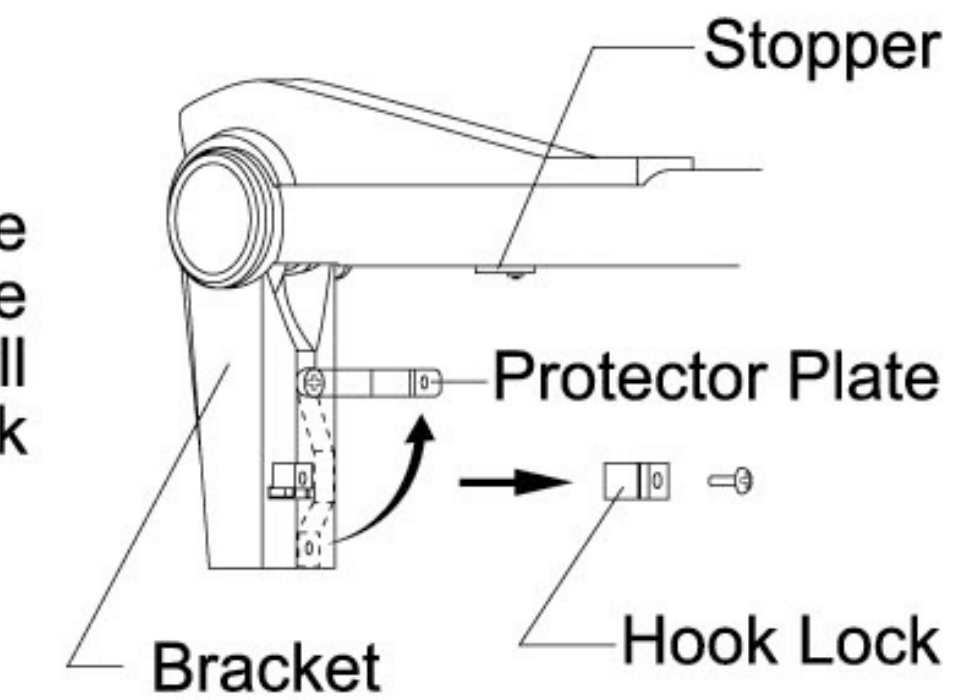
**CAUTION:** As the wall plate and the wall bracket are subject to a large pressure, make sure that the wall plate is installed correctly and firmly.

## 3 INSTALLATION OF MACHINE HEAD

**CAUTION: DO NOT REMOVE STOPPER on Arm until machine head is completely installed. Arm assembly is spring loaded and could cause equipment damage and / or injury if not handled in proper manner.**

For both the arm assembly and the machine head are fairly heavy, it is suggested that the installation is done by two persons together as instructed in the following steps.

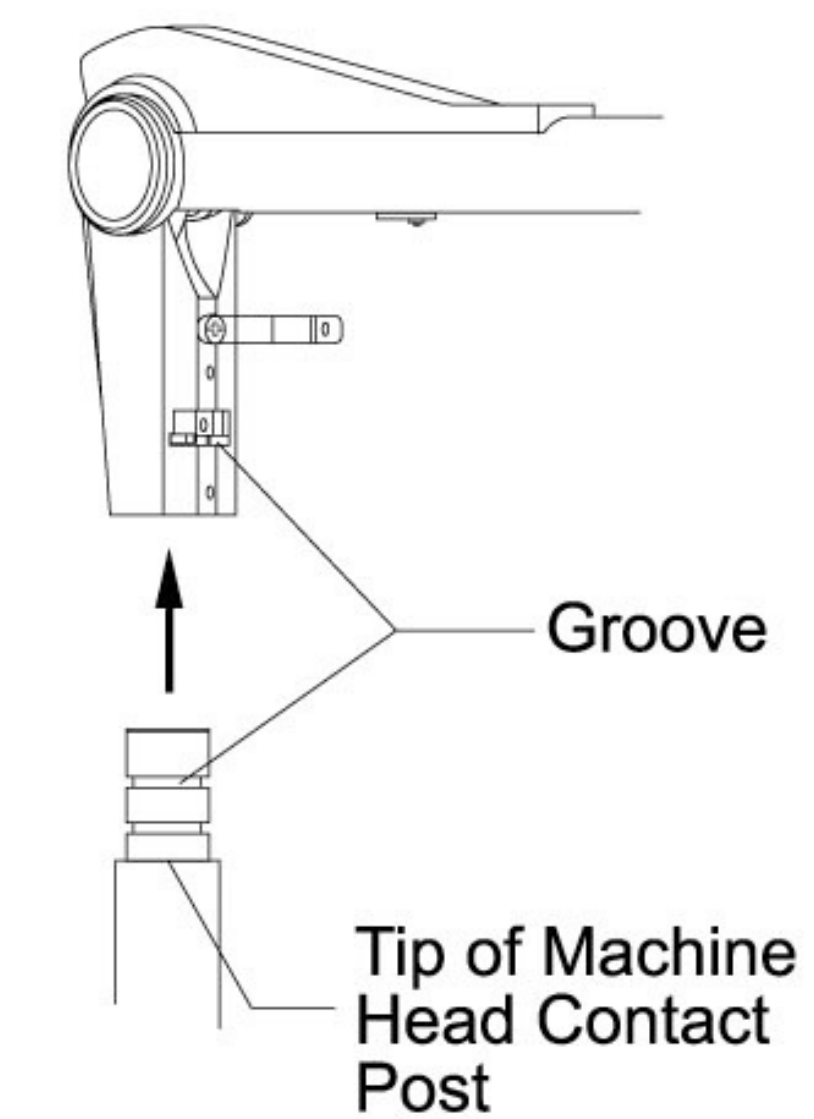
3-1 Remove the screw at the protector plate underside and rotate the protector plate anti-clockwise till it is vertical. Remove the hook lock after loosening the screw.



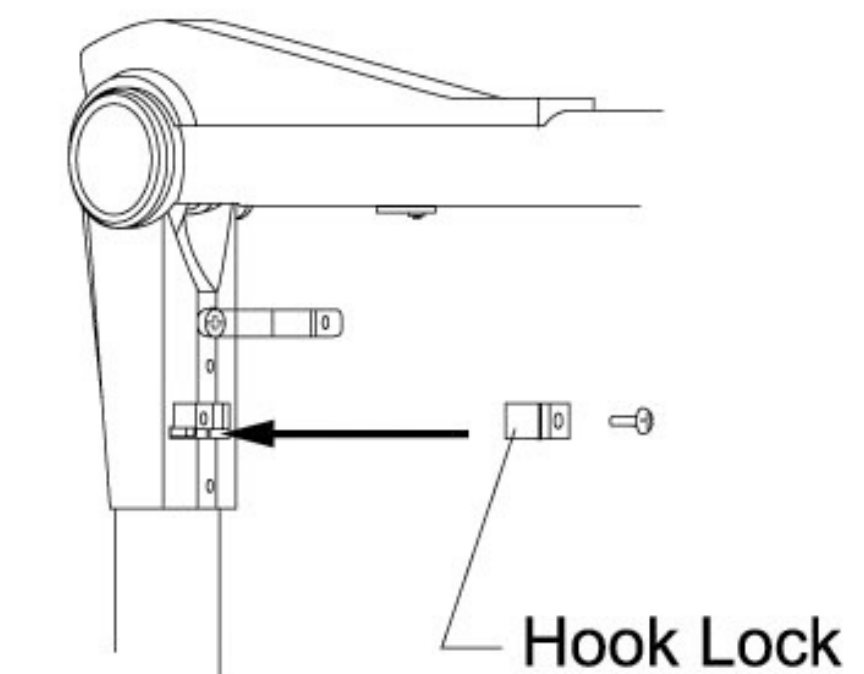
3-2 Stand the machine head on the floor and keep it upright with two hands. Another person holds up the arm assembly and then inserts the tip of the arm into the machine head contact post.

Note one: Please make sure to insert the machine head contact post firmly. The tip of the arm assembly must be vertical adown. You may also turn the tip of the arm assembly left or right slightly and press the tip of the arm assembly slightly.

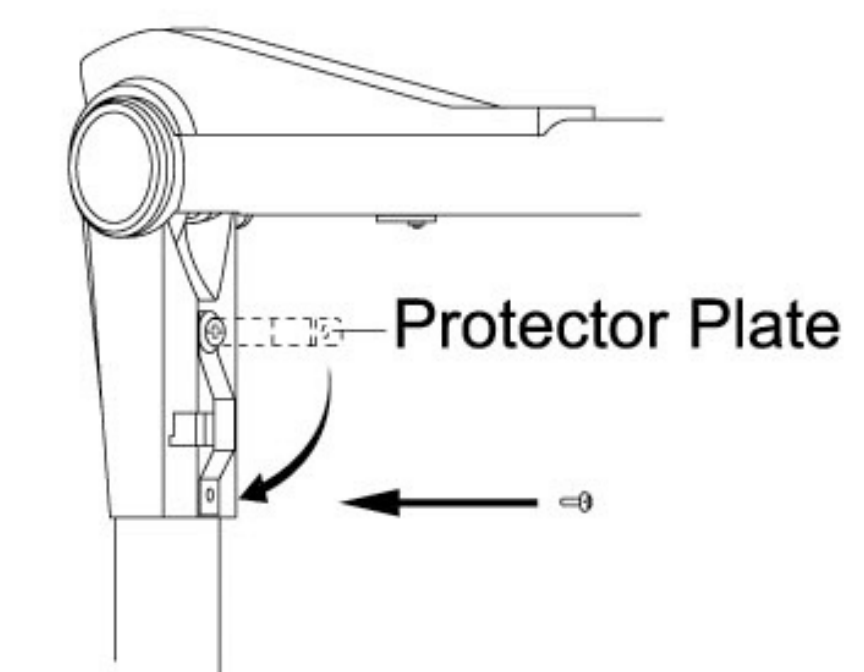
Note two: The tip of the arm assembly must be inosculated completely with the head contact post. Please pay more attention to the groove of the bracket, if you can see the groove of the machine head contact post through the groove of the bracket, it shows the installation position is correct.



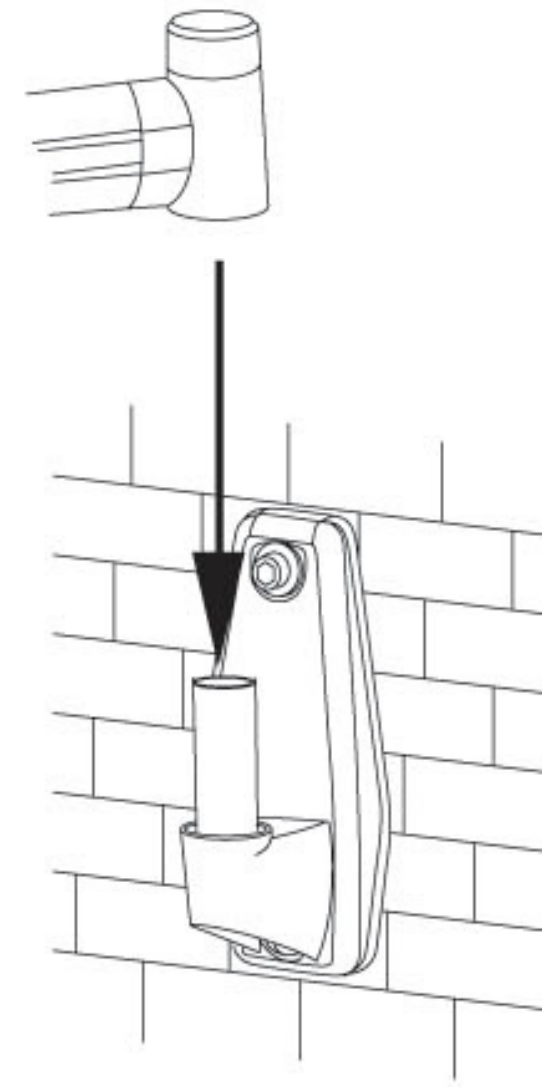
3-3 Reinstall back the hook lock to the groove and then tighten the screw firmly.



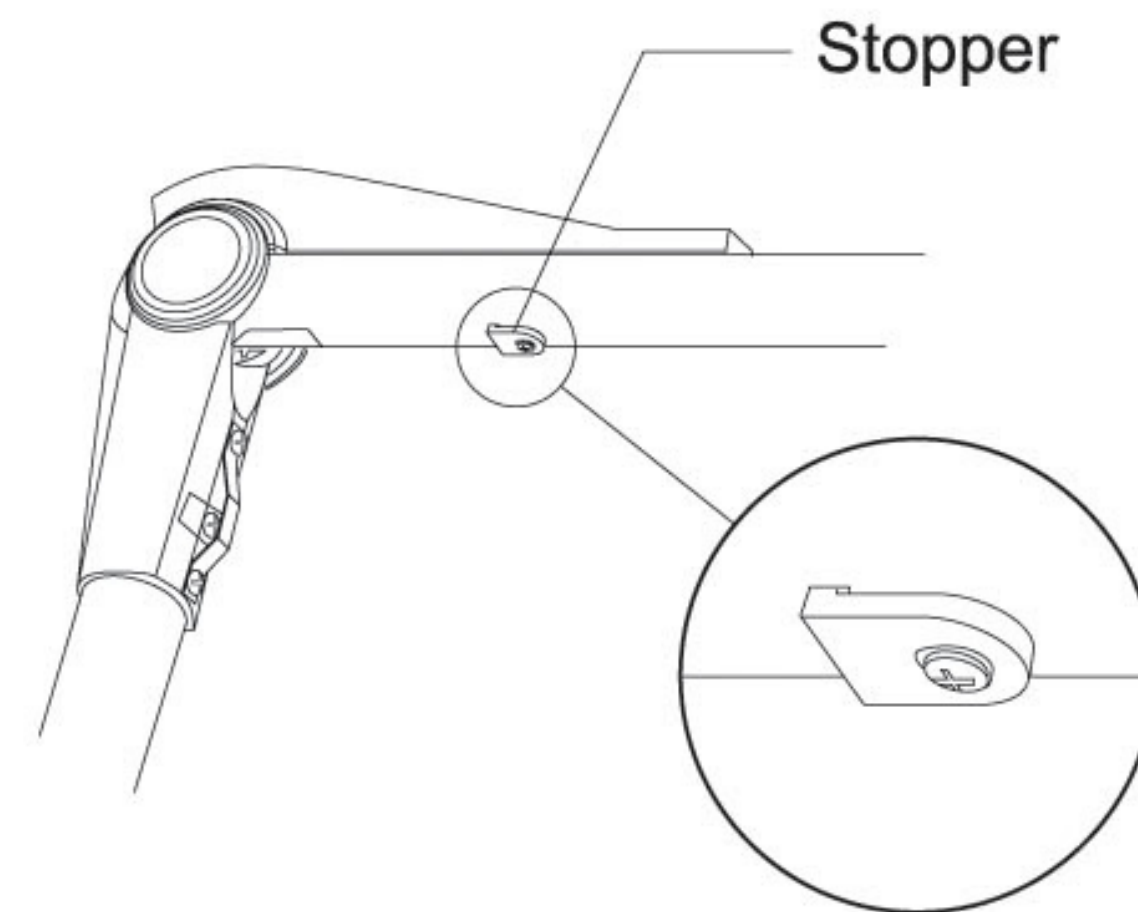
3-4 Turn the protector plate clockwise back to the original position and then tighten the screw firmly.



3-5 Two persons hold up the machine head and the arm assembly at the same time, then install on the wall.



3-6 Remove the stopper, otherwise it will damage the arm assembly !



## 4 ADJUSTMENT OF THE ARM ASSEMBLY

4-1 After finishing the installation, you may pull the machine head up and down to adjust the height as you need. Please operate it carefully to avoid it hitting the ceiling or furniture. In order not to damage the arm assembly, it is suggested not to remove the cover of the arm assembly and not to rotate the adjusting nut.

4-2 Before the factory delivers the arm assembly, the strength of the spring has been adjusted. Please load the correct weight as shown on the arm assembly

## 5 Cautions

Bending, pulling, extending, bumping and damage of the power flexible wire by force is strictly prohibited. If the power supply cord is damaged, to avoid danger, it must be replaced by the manufacturer, its maintain departments or similar professionals.

Installation of arm assembly must be done by the retailer , its maintain departments or similar professionals . It is suggested that the installation should be done by two persons or more than two persons .

This arm assembly is not prepared for using by people who have weak , infirm physical abilities , or who have slow , tardy reaction or response , or who have mental , sprit handicap , impediment or psychotic (including children ) , unless they can safely use it under the instructions and help from personnel who have safe responsibilities to them .

Children should be supervised so that you can guarantee that they won't play with the appliance.